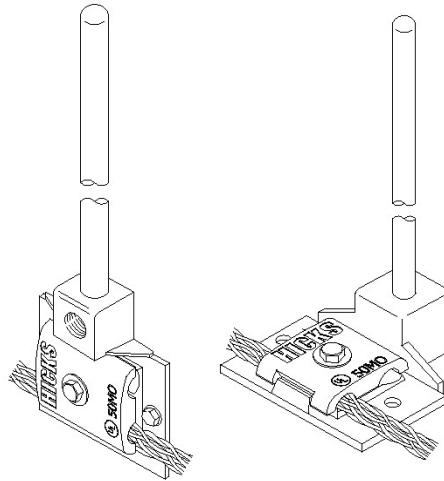
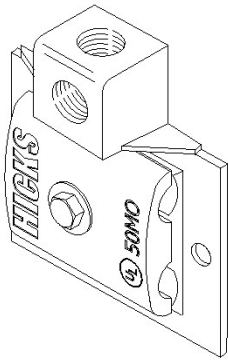




---

**Item # BB9B-HICKS, Dual Thread Bolt Base**

---

**Dual Thread Bolt Base**

A cast bronze base with a 2-way cable holder. Threaded for top or side mounting. 5/16-18 stainless steel bolt and washer. 2 13/16" x 2 15/16" (7.14 cm x 7.46 cm); approximately 9.3 oz. (263 grams). Use suffix 3/8 or 1/2 to denote air terminal thread size.

---

**SPECIFICATIONS**

Material	Bronze
Dimensions	2-13/16" (7.14cm) x 2-15/16" (7.46cm)
Available Thread Sizes	3/8" or 1/2"
Weight	9.3 oz. (263 g)

**Made in the USA**