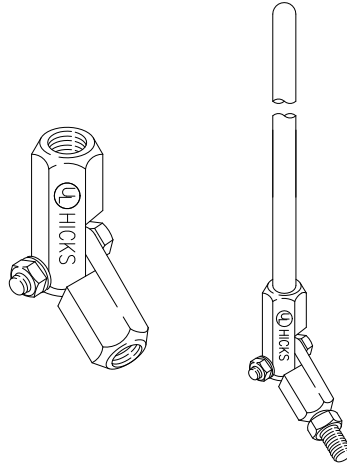




Item # SC5/8F-5/8MA-HICKS, Aluminum Cast Swivel Coupling

**Aluminum Cast Swivel Coupling**

For female to male connections. Cast bronze or aluminum with stainless steel fasteners. Available with 3/8" (9.5 mm), 1/2" (12.7 mm) or 5/8" (15.9 mm) threads, in combinations to meet your requirements. Female to male 4" x 3/4" (102mm x 19 mm).

Note: Cast Swivel Couplings are also available tinned.

SPECIFICATIONS

Material	Aluminum
Dimensions	4" (102mm) x 3/4" (19 mm)
Available Thread Sizes	3/8"-16; 1/2"-13; 5/8"-11
Product Thread Size (Female to Male)	5/8"-11 – 5/8"-11

Made in the USA